

CPS Power Connection Adapter Model PCA-3063

1. OVERVIEW

The PCA-3063 (Figure 1) allows an Engenuity Cable Pair Stabilizer (CPS) to be used with gateways and power supplies that have 3.0mm x 6.3mm power connectors. The one-piece adapter provides a straight-through connection between the gateway, its power supply, and a bridged connector for powering the CPS.

Document Status

This document was released as Rev. 001 to add Figure 2.

2. APPLICATION

The CPS requires connection to a gateway's DC power supply and the gateway's power input. An adapter is needed when the connector size of the gateway and power supply are different from that of the CPS. The CPS provides a 2.1mm x 5.5mm female plug connection for the gateway. The PCA-3063 allows the CPS to work with gateways and their associated power supplies that require 3.0mm x 6.3mm connections.

3. DESCRIPTION

The PCA-3063 is a small, plastic coated adapter with the following DC connectors:

- 3.0mm x 6.3mm female plug
- 3.0mm x 6.3mm male jack
- 2.1mm x 5.5mm male jack

4. INSTALLATION

To install the PCA-3063 with a CPS, please refer to Figure 1, Figure 2 and the following steps:

- ① Plug the PCA-3063 into the gateway's DC power jack.
- ② Plug the gateway power supply cable into the PCA-3063 jack that is in line with the plug to the gateway.
- ③ Plug the CPS "POWER to RG" cable (black) into the 2.1mm x 5.5mm male jack on the PCA-3063.

NOTE: When using a CPS with the PCA-3063, the CPS "POWER IN" jack is unused.

- ④ Make DSL connections according to instructions included with the CPS.

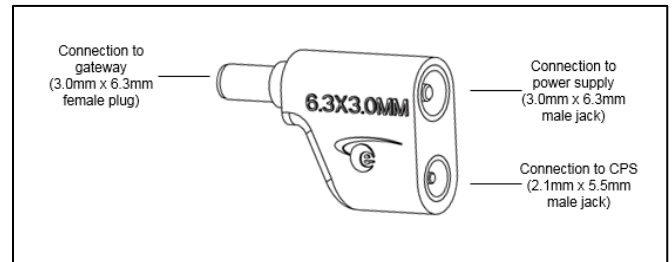


Figure 1. PCA-3063 Power Connection Adapter

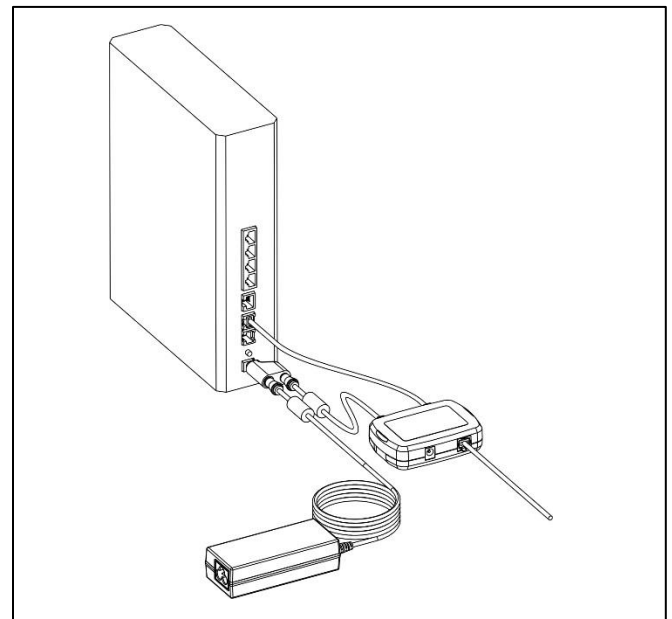


Figure 2. Completed installation

5. CUSTOMER SERVICE

If technical or customer assistance is required, please contact us at the following:

Customer Service	1-800-980-3266 sales@engenuitycom.com
Technical Support	1-800-841-1005 support@engenuitycom.com
<p>Engenuity Communications 3545 Stern Avenue St. Charles, Illinois 60174 www.engenuitycom.com</p>	

6. WARRANTY

Enginuity warrants this product for one (1) year from date of purchase. Any attempt to repair or modify the product by anyone other than an authorized Enginuity representative will void the warranty.

7. SPECIFICATIONS

Size (H x W x D)	Approx. 1.1" x 1.7" x 0.5"
Weight	1 ounce

8. ORDERING INFORMATION

Enginuity part number: PCA-3063-10

Description: Package of ten (10) PCA-3063 Power Connection Adapters