

QUICK INSTALLATION GUIDE FOR TELTREND'S DSH4302LD ISSUE 4 D4-TO COMPATIBLE CHANNEL UNIT

(*CLEI™ Code: D4C01F18AB)

This document serves as a quick and convenient guide for installing Teltrend's D4 TO module, Model DSH4302LD Issue 4. Complete information, including specifications, is available upon request as Practice Section 74-4302/04-00. The DSH4302LD is a 4W TO D4-compatible plug-in designed for D4 or SLC* 96 applications. The DSH4302LD provides the interface between the common equipment of the channel bank assembly and a Data Station Termination. The DSH4302LD Issue 4 provides equal-level loopback with frequency activation of 2863Hz.

OPTIONS

Teltrend's DSH4302LD contains option switches, to configure the unit for the appropriate loopback activation tone, Impedance, Sealing Current, XMT and RCV Attenuation. The DSH4302LD also provides a front-panel push-button ZAP switch. This switch can be used to momentarily increase the sealing current to a higher current flow.

LED Status Indicators

The DSH4302LD is equipped with two front-panel LEDs that provide a quick visual indication to the unit's sealing current operation and Loopback operation.

The SC LED, when lit, indicates sealing current is present.

The LOOPBACK LED, when lit steady indicates the unit is in the loopback mode.

Installer Connections

Installer connections are made by connecting the appropriate 25-pair cables to the proper 25-pair cable

connectors of the AT&T channel bank assembly. The unit makes electrical connection when is installed, and properly seated into the appropriate position of the channel bank. The Block Diagram provided in this document shows the functional operation of the unit as well as the pin-outs.

If trouble is encountered, verify all installer connections, option and alignment settings, and verify that the unit is making a positive connection with the mounting assembly's backplane connector. If trouble persists, replace the unit and repeat the procedures outlined.

CAUTION

This product incorporates static sensitive components. Proper electrostatic discharge procedures must be followed.

Technical Assistance

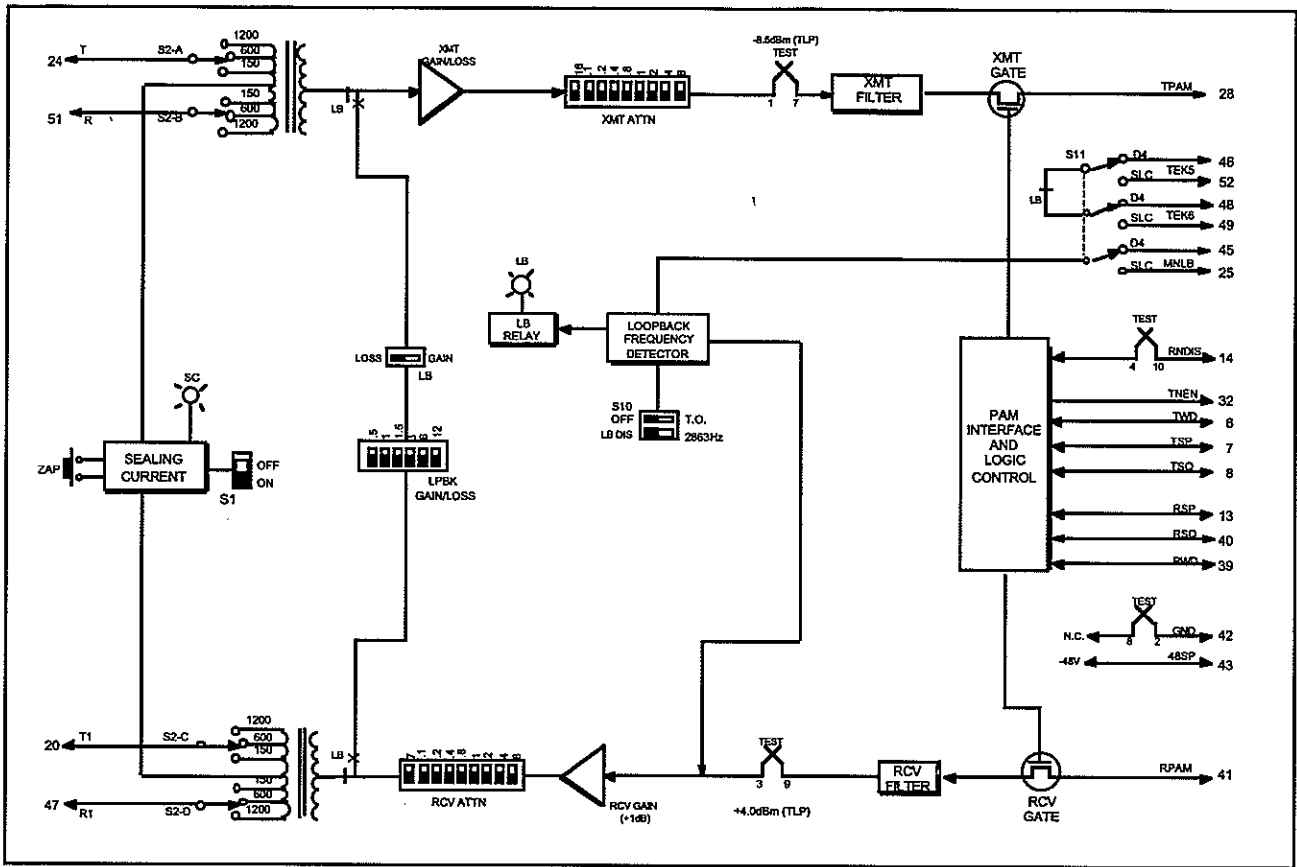
If technical assistance is required, contact Teltrend's Customer Service Department by calling:

1-800-TELTREN (1-800-835-8736) or, if busy,
(630) 377-1700 (8am to 5pm - Central Standard Time)

For after hours, weekends and Holidays, call our
24-hour number (630) 377-2255.

Repair And Return

If a unit needs repair, please follow the normal Repair and Return policies established by the local operating company.



DSH4302LD Issue 4 Block Diagram

