

# OnSite™ Protective Top Cover for 19" Wall Racks

## Model PTC-1

---

1. OVERVIEW.....	1
2. DESCRIPTION .....	1
3. INSTALLATION.....	1
4. CUSTOMER SERVICE.....	2
5. WARRANTY & REPAIRS .....	2
6. SPECIFICATIONS .....	2

---

### 1. OVERVIEW

Engenuity's OnSite Model PTC-1 (Figure 1) is a protective top cover used with the family of OnSite 19" wall racks. The PTC-1 mounts to the top of a wall rack and provides protection from dust, dripping water, or falling debris.

#### Document Status

This document has been reissued to correct the product height and to add a reference to the lock washers.

#### Product Features

- Easily mounts to Engenuity family of OnSite 19" wall racks
- Extends 1/2" beyond the front of the wall rack to protect the front panels of installed equipment

### 2. DESCRIPTION

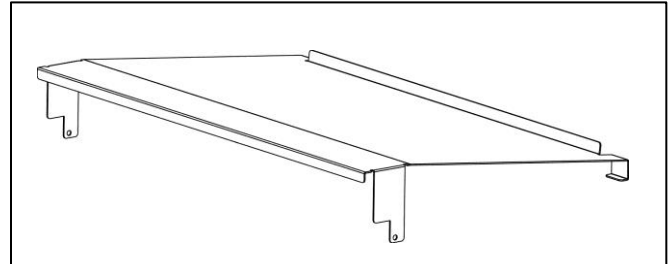
The PTC-1 is made of 18 gauge steel and attaches to any of the 19" OnSite wall racks to provide protection to the equipment below. After installation, the PTC-1 increases the height of the wall rack by 2.25 inches.

### 3. INSTALLATION

The PTC-1 shipping carton contains the following:

- Protective top cover
- Two (2) #10-32 Phillips head screws with captive lock washers
- Product documentation

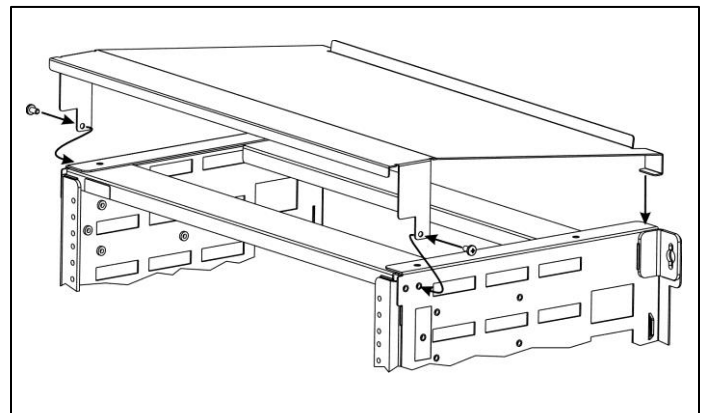
**NOTE:** In new installations, it is recommended that the wall rack be oriented with the ground bus at the bottom to maximize accessibility.



**Figure 1. PTC-1 protective top cover**

Installation steps are described in detail here and illustrated in Figure 2.

- ① Locate the two threaded mounting holes located at the top of the wall rack side plates. The hole furthest from the front will be used for mounting the PTC-1.
- ② Place the PTC-1 so that the rear tabs are resting on the top rails of the wall rack.
- ③ Align the PTC-1 mounting tab with the proper wall rack hole located in Step 1. Install one #10-32 screw (supplied). Repeat this step on the opposite side.



**Figure 2. Installation of PTC-1**

**NOTE:** The PTC-1 is not to be used as a storage shelf. Do not place items on the PTC-1.

## 4. CUSTOMER SERVICE

If technical or customer assistance is required, please contact Enginuity at the following:

Customer Service	1-800-980-3266 <a href="mailto:sales@enginuitycom.com">sales@enginuitycom.com</a>
Technical Support	1-800-841-1005 <a href="mailto:support@enginuitycom.com">support@enginuitycom.com</a>
Enginuity Communications 3545 Stern Avenue St. Charles, Illinois 60174 <a href="http://www.enginuitycom.com">www.enginuitycom.com</a>	

## 5. WARRANTY & REPAIRS

### Warranty

Enginuity warrants this product for one (1) year from date of purchase. Any attempt to repair or modify the equipment by anyone other than an authorized Enginuity representative will void the warranty.

This limited warranty does not cover any losses or damages resulting from shipment to or from the customer, or from improper installation, abuse, modifications, or unauthorized repair by other than Enginuity personnel.

## Repair and Return

Enginuity equipment will be repaired or replaced without cost during the warranty period if the product is defective for any reason other than abuse, improper use, or improper installation. Before returning defective equipment, first request a Return Material Authorization (RMA) number from Enginuity. Once an RMA number is obtained, return the unit, freight prepaid, along with a brief description of the problem, to:

Enginuity Communications  
3545 Stern Avenue  
St. Charles, Illinois 60174  
ATTN: Repair & Return Dept.

Replacements will be shipped in the fastest manner consistent with the urgency of the situation. Repair or replacement of faulty equipment beyond the warranty period is available for a nominal charge.

## 6. SPECIFICATIONS

Part Number	PTC-1
Description	Protective Top Cover for OnSite™ Wall Racks
Dimensions (H x W x D)	3.0 x 20.3 x 13.0 inches (After installation, the PTC-1 adds 2.25 inches to the height of the wall rack)
Weight	3.8 pounds