

OnSite™ 5U Wall Rack Swing-Out Adapter

Model SOA-5U

1. OVERVIEW.....	1
2. APPLICATIONS.....	1
3. DESCRIPTION.....	1
4. INSTALLATION.....	2
5. TESTING AND TROUBLESHOOTING.....	3
6. CUSTOMER SERVICE.....	3
7. WARRANTY & REPAIRS	3
8. SPECIFICATIONS.....	4

1. OVERVIEW

The SOA-5U swing-out adapter (Figure 1) is a wall-mounted accessory for Engenuity's Model WR-5UI2 wall rack. The SOA-5U provides a hinge mechanism that allows the WR-5UI2 to swing out for access to the rear of equipment mounted in the rack. The adapter's flexible cable guide and ground strap ensure that cabling remains kink-free while using the swing-out feature.

Document Status

This document has been reissued to include references to the drill template.

Product Features

- Supports Engenuity WR-5UI2 wall rack
- Allows wall rack to swing out up to 90° for rear access to equipment
- Easily installed on a wall or backboard
- Versatile mounting and grounding options
- Includes flexible cable guide and ground strap
- Carrier-class design

2. APPLICATIONS

Engenuity's Model WR-5UI2 wall rack supports any combination of standard 19-inch rack-based equipment, up to a total of five rack units high. When equipment in the WR-5UI2 requires rear access to connectors, plug-ins, etc., the SOA-5U swing-out adapter enables the wall rack to pivot up to 90°.

The symmetrical design of the SOA-5U allows it to be mounted in a swing-left or swing-right position, providing flexibility when choosing an installation location. The swing-out adapter adds minimal depth to the wall rack

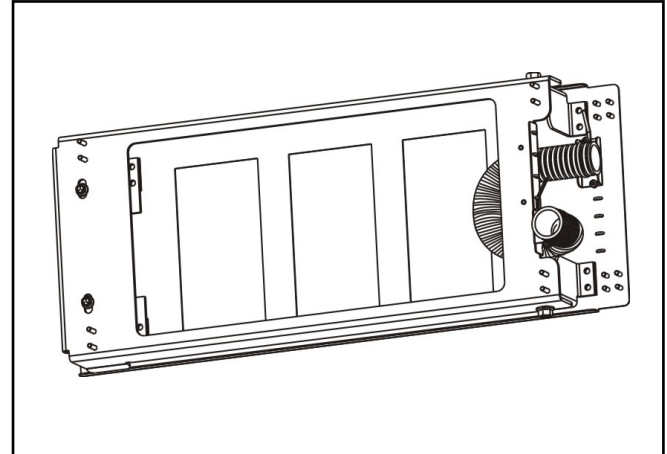


Figure 1. SOA-5U Swing-Out Adapter

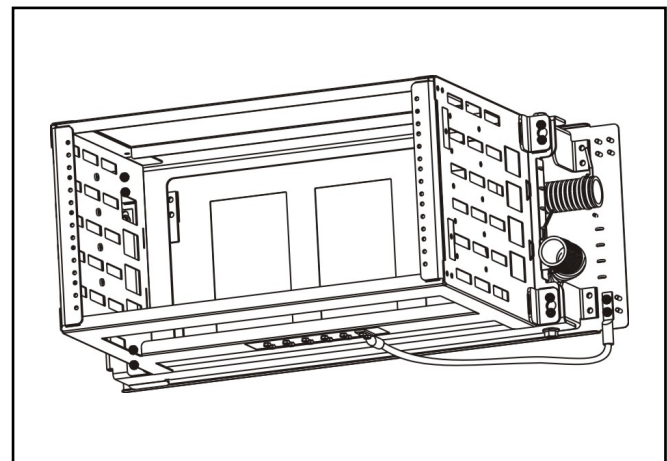


Figure 2. SOA-5U with WR-5UI2 wall rack

assembly. The SOA-5U gets mounted to the wall before the WR-5UI2 is mounted onto the SOA-5U. Figure 2 illustrates the complete assembly. Equipment cables and ground wiring are groomed and secured by the cable management features of the SOA-5U and WR-5UI2.

3. DESCRIPTION

The SOA-5U is constructed of heavy-gauge steel for service provider applications. Its integrated hardware fasteners provide a precise fit to the WR-5UI2. The product's frame, hinge mechanism, and cable guide are preassembled and ready for wall mounting. Figure 3 highlights the main features of the SOA-5U.

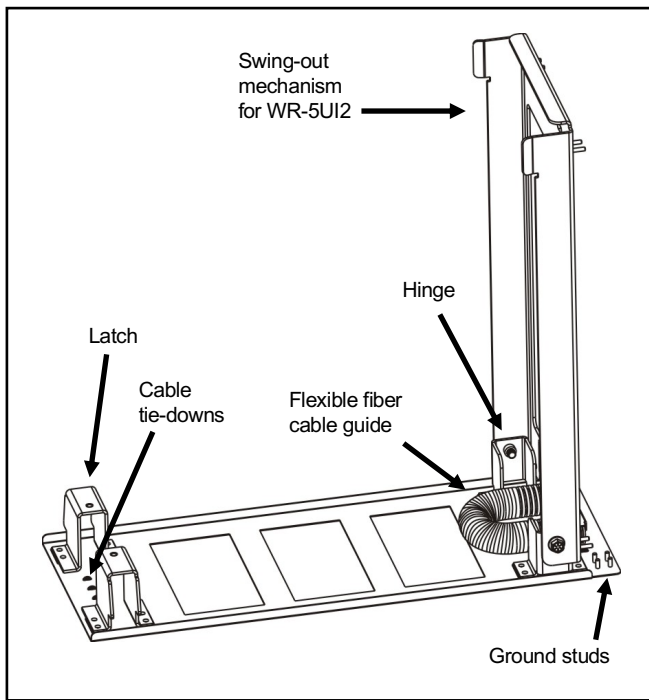


Figure 3. SOA-5U features (swung open)

4. INSTALLATION

The SOA-5U shipping carton contains the following:

- Pre-assembled swing-out frame
- Ground strap with dual-hole connectors
- Twelve (12) 1/4" x 1" hex-head wood screws
- Twelve (12) #10-32 hex nuts, with self-contained lock washers
- Product documentation
- Drill template

Installation steps are described in detail below.

A. Mounting the SOA-5U frame

- ① Select an appropriate location to install the swing-out frame. Mounting to a 3/4" thick backboard with the included hardware ensures that the combined weight of the SOA-10U, wall rack, and equipment can be supported. Maximum weight capacity of the SOA-5U is 100 pounds.
- ② Determine the desired orientation. The symmetrical design of the SOA-5U frame allows it to be installed for the WR-5UI2 rack to swing left or right. Four screws will be used in each of the top corners and two screws in each of the bottom corners.
- ③ Tape the drill template to the wall ensuring it is level. The drill template provides information for multiple products. Be sure to use hole symbol "A" for swing

left orientation or "D" for swing right orientation. Drill all twelve 3/16" pilot holes.

- ④ The swing-out feature of the SOA-5U is held shut by two 1/4"-20x1" hex-cap screws, one in each of two latches on the frame. Remove both screws and set them temporarily aside. This will allow the swing-out portion to be opened or closed as needed for access to remaining mounting holes.
- ⑤ Hold the back of the frame firmly against the mounting surface and install twelve of the included 1/4" x 1" wood screws starting with the upper corners (Figure 4).
- ⑥ Reinstall the two 1/4"-20x1" screws (removed in step 4) that hold the swing-out portion closed.

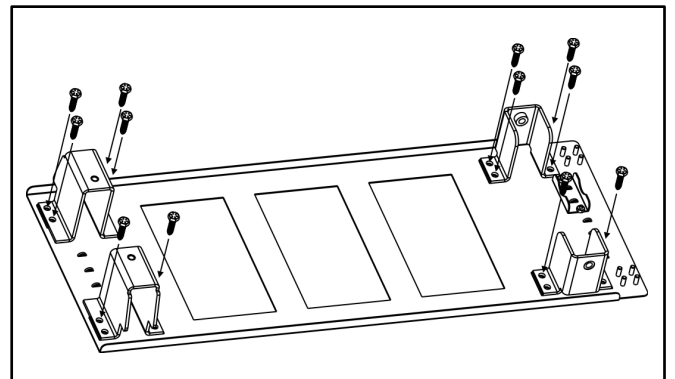


Figure 4. Mounting screw locations (swing-out mechanism omitted for clarity)

B. Mounting the WR-5UI2 wall rack

- ① Locate eight of the included #10-32 hex nuts.
- ② Choose a preferred orientation for the WR-5UI2 and align its mounting holes with the four pairs of threaded studs on the face of the SOA-5U frame (one pair in each corner). Hex nuts will be installed on the studs, as shown in Figure 5.
- ③ Finger tighten a hex nut in each of the upper corners. Install the additional hex nuts and securely tighten nuts on all eight studs.

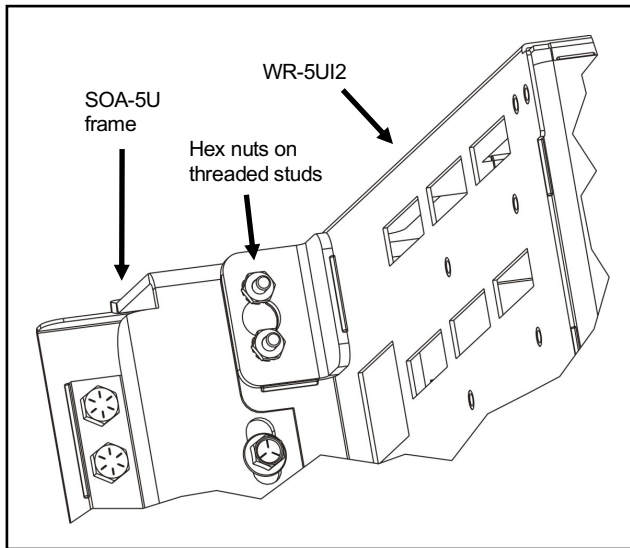


Figure 5. WR-5UI2 attachment (one corner shown)

C. Grounding

- ① Locate the included ground strap and two of the #10-32 hex nuts. Referring to Figure 6, fasten one of strap's the dual-hole connectors to the **nearest pair of ground bus screws** on the wall rack, using screws supplied with the wall rack.
- ② Fasten the other end of the ground strap to the grounding studs on the SOA-5U frame with both hex nuts. Ground studs are located on both the top and bottom of the frame, accommodating either orientation of the wall rack ground bus. **Use the ground studs on the SOA-5U framed that are nearest to the ground bus of the wall rack.** This provides the proper amount of slack in the ground cable, allowing the swing-out mechanism to operate correctly.
- ③ Install a dual ground lug (customer provided) with holes on 5/8" centers to the adjacent ground studs on the SOA-5U, use two of the included #10-32 hex nuts to fasten the lug securely.
- ④ Connect a ground wire of appropriate gauge to the ground lug and attach the other end of the wire to a bonded ground point, per local procedures for network equipment.

D. Cable Management

- ① Use the SOA-5U tie-down points to hold equipment cables in place with tie-downs or other fasteners that are appropriate for the cable type.
- ② Fiber jumpers or pigtails can be fed through the corrugated flexible tube that is pre-attached to the SOA-5U frame.

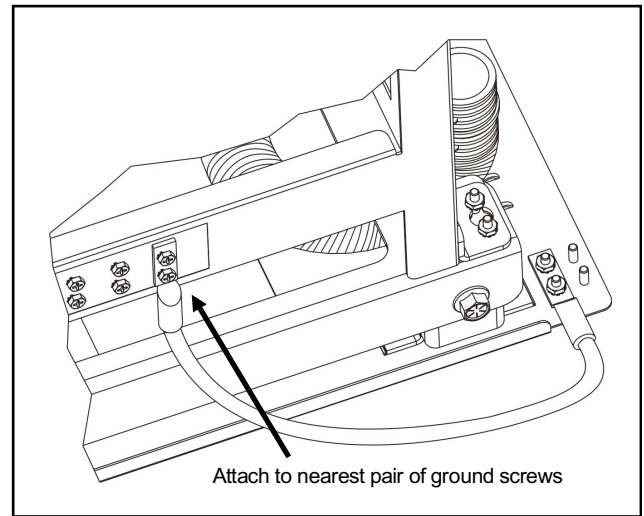


Figure 6. Ground strap attachment

5. TESTING AND TROUBLESHOOTING

Operate the swing-out feature of the SOA/wall rack assembly. Ensure that all fasteners are adequately tightened and cables are properly groomed.

6. CUSTOMER SERVICE

If technical or customer assistance is required, please contact Engenuity at the following:

Customer Service	1-800-980-3266 sales@engenuitycom.com
Technical Support	1-800-841-1005 support@engenuitycom.com
Engenuity Communications 3545 Stern Avenue St. Charles, Illinois 60174 www.engenuitycom.com	

7. WARRANTY & REPAIRS

Warranty

Engenuity warrants this product for one (1) year from date of purchase. Any attempt to repair or modify the equipment by anyone other than an authorized Engenuity representative will void the warranty.

This limited warranty does not cover any losses or damages resulting from shipment to or from the customer, or from improper installation, abuse, modifications, or unauthorized repair by other than Engenuity personnel.

Repair and Return

Engenuity equipment will be repaired or replaced without cost during the warranty period if the product is defective for any reason other than abuse, improper use, or improper installation. Before returning defective equipment, first request a Return Material Authorization (RMA) number from Engenuity. Once an RMA number is obtained, return the unit, freight prepaid, along with a brief description of the problem, to:

Engenuity Communications
3545 Stern Avenue
St. Charles, Illinois 60174
ATTN: Repair & Return Dept.

Replacements will be shipped in the fastest manner consistent with the urgency of the situation. Repair or replacement of faulty equipment beyond the warranty period is available for a nominal charge.

8. SPECIFICATIONS

Part Number	SOA-5U
Description	OnSite™ 5U wall rack swing-out adapter
Height	10.5 inches
Width	26.5 inches
Depth	4.0 inches (16.0 inches with wall rack attached)
Weight	13.0 pounds
Capacity	Total installed weight (equipment in wall rack) not to exceed 100 lbs.
Operating Temperature	0 to 50°C
Standards Compliance	Meets applicable Telcordia NEBS requirements, including Zone 4 seismic.