

# OnSite™ Rack Extension Brackets

## Models REB-3U3 and REB-5U3

---

1.	OVERVIEW .....	1
2.	APPLICATIONS .....	1
3.	DESCRIPTION .....	1
4.	INSTALLATION.....	2
5.	CUSTOMER SERVICE.....	2
6.	SPECIFICATIONS .....	2

---

### 1. OVERVIEW

Each REB product consists of a pair of rack extension brackets (Figure 1) which provide for proper depth positioning of equipment. The hole spacing mates with standard telco racks. Brackets come in multiple lengths to support various configurations.

#### Document Status

This document has been reissued to add the REB-5U3.

#### Product Features

- Mates with standard equipment including Engenuity OnSite wall mounted racks (Figure 2)
- Heavy-duty 13 gauge steel
- Provides 3" offset

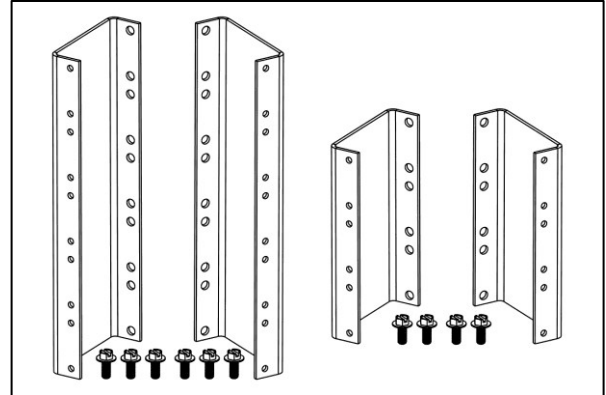
### 2. APPLICATIONS

The REB products enable greater flexibility when mounting equipment in locations where depth is limited. The REB products provide a 3" offset from the rack to allow mounting of deep equipment or mounting equipment when there are obstructions behind the rack.

Rack extension brackets may be placed immediately above or below one another in a rack without losing any mounting space (Figure 3).

### 3. DESCRIPTION

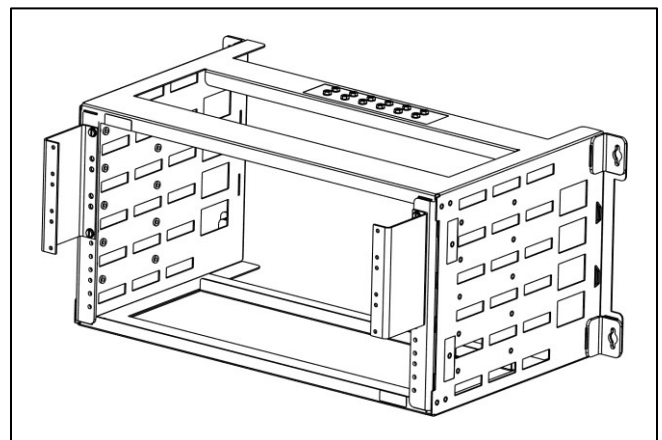
Each REB product includes two 13 gauge steel rack extenders. Table 1 provides the height and offset information.



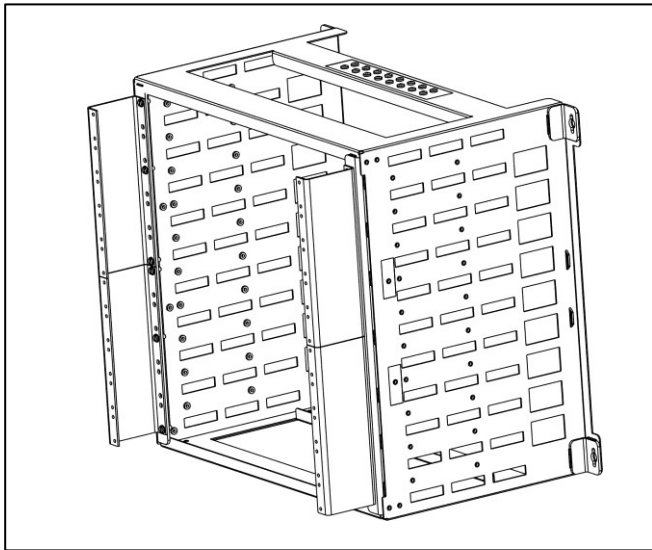
**Figure 1. REB-5U3 and REB-3U3 Rack Extension Brackets**

Model Name	Height (Rack Units)	Offset (inches)
REB-3U3	3	3
REB-5U3	5	3

**Table 1. REB Products**



**Figure 2. REB-3U3 installed on wall mounted rack**



**Figure 3. Adjacent installation of two REB-5U3s**

#### 4. INSTALLATION

The shipping carton for a REB product contains the following:

- Two (2) rack extension brackets
- #12-24 x 1/2" slotted hex rack screws
  - REB-3U3 – qty four (4)
  - REB-5U3 – qty six (6)
- Product documentation

Installation steps are described in detail below.

##### Mounting the REB product to a rack

- ① Position a rack extension bracket so that the open side faces the center of the rack (Figure 2).
- ② Align the rack extension bracket mounting holes with the rack mounting holes. Install screws in the top and bottom holes and tighten securely using a 5/16" socket wrench or box wrench. For the REB-5U3, install one additional screw in one of the centrally located holes.
- ③ Repeat steps ① and ② for the mating bracket.

#### 5. CUSTOMER SERVICE

If technical or customer assistance is required, please contact Enginuity at the following:

Customer Service	1-800-980-3266 sales@enginuitycom.com
Technical Support	1-800-841-1005 support@enginuitycom.com
Enginuity Communications 3545 Stern Avenue St. Charles, Illinois 60174 www.enginuitycom.com	

#### 6. SPECIFICATIONS

REB-3U3	Size (H x W x D)	5.23" x 3.00" x 0.875"
	Weight	1.2 lbs (0.58 lbs per bracket)
REB-5U3	Size (H x W x D)	8.73" x 3.00" x 0.875"
	Weight	1.9 lbs (0.97 lbs per bracket)