

Universal D-Ring Model DRNG-U-2

1. GENERAL DESCRIPTION

The Universal D-Ring (Figure 1) is a versatile accessory for cable management in rack-mounted equipment installations. The rugged metal D-Ring easily attaches to the mounting rail of a 1 RU rack space and provides mechanical support for cables.

Document Status

This is the initial release of this technical publication.

2. APPLICATIONS

The DRNG-U-2 Universal D-Ring may be mounted directly to a rack or on top of the mounting ears of existing equipment. Used primarily with the Engenuity Service Interface Panels, models SIP-1400 and SIP-3600, the DRNG-U-2 may also be used with the SIP-600, SIP-1200 and SIP-2400. The provided screws are longer than typical rack screws to allow for mounting on top of existing equipment. The DRNG-U-2 may be mounted to the left or right rack rail. It may also be wall mounted.

3. INSTALLATION

- a) Select the position of the D-Ring that is best suited for the application and align the mounting holes with the holes of the mounting rail as shown in Figure 2.
- b) Insert the supplied screws and fasten securely.
- c) Route cables through the angled slot following appropriate bend radius guidelines.

4. CUSTOMER SERVICE

If technical or customer assistance is required, please contact Engenuity at the following:

Customer Service	1-800-980-3266 sales@engenuitycom.com
Technical Support	1-800-841-1005 support@engenuitycom.com
Engenuity Communications 3545 Stern Avenue St. Charles, Illinois 60174 www.engenuitycom.com	

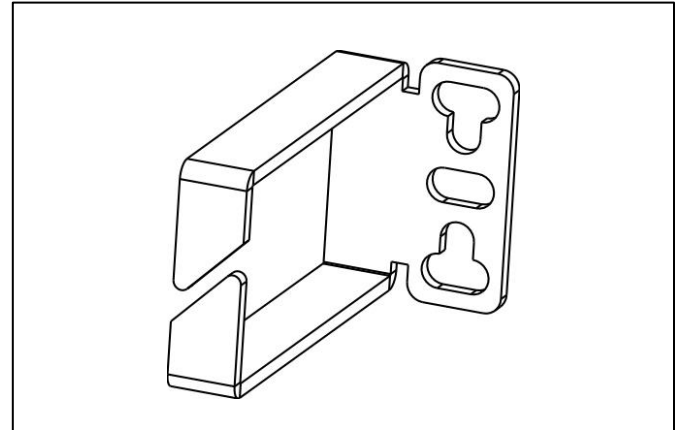


Figure 1. DRNG-U-2

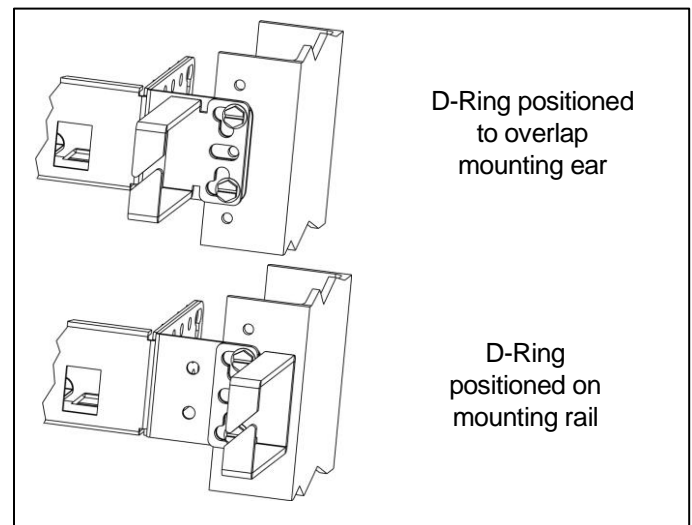


Figure 2. Installation of DRNG-U-2, shown mounted on top of existing equipment

5. SPECIFICATIONS

DRNG-U-2	Size (H x W x D)	1.65" x 1.325" x 3.0"
	Weight	3 ounces