

NID - SFU Slack Storage

Provides fiber demarcation point for fiber drop in a single family unit



Enginuity's Single Family Slack Storage Network Interface Device (NID) provides expanded slack storage of drop cable for connectorized or spliced fiber drop and cable management in a FTTH network. Designed with a compact and rugged construction to ensure a durable and reliable performance in an indoor and outdoor environment.

FEATURES

- Includes extended fiber management plate for storing up to 50 feet of 4.8mm fiber slack cable, strength member tie point and cable clamping locations
- Separate storage for buffer tube and 900µm fiber
- Includes (1) SC/APC adapter for connectorized drop. Bulkhead can accommodate up to 6 SC/APC adapters
- Accommodates up to 6 splice sleeve for spliced drops
- Choice of unique 4-port rubber grommet that provides superior sealing for cables and provides strain relief or rubber grommet that accommodates 3/4" and 1" conduit
- 3/8" Hex Head Bolt access with 216 tool with provision for padlock
- Tone/tracer wire post for external access on bottom



NDSS-1BA-BABA (shown)

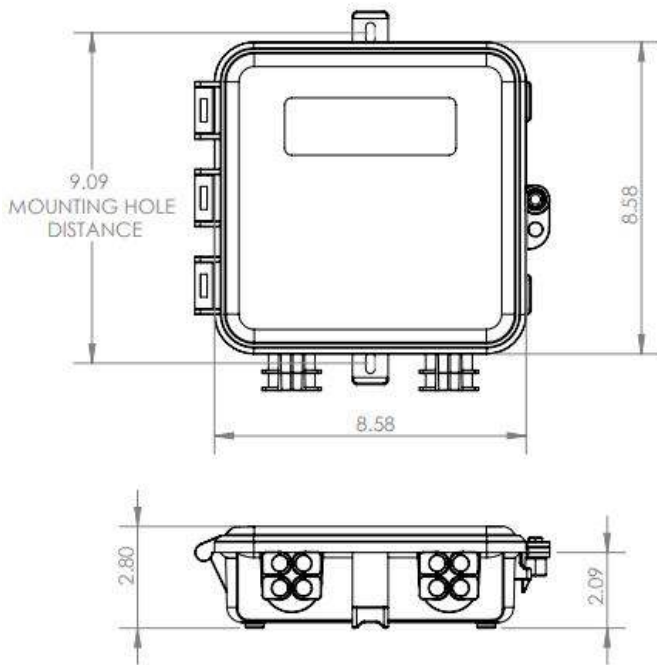


NID shown configured with pre-terminated feeder drop cable and 50 feet of 4.8mm drop cable to the premise as a typical example. Cables and fiber connectors not included with NID.



SPECIFICATION

Material	Impact Resistant Plastic, Outdoor rated, Telco Gray color
Performance	Designed to meet GR-2898-CORE
Application	Indoor or outdoor enclosure for wall mounting



ORDERING INFORMATION

Enginuity Part #	Description
NDSS-1AA-BABA	NID, Slack SCAPC, 4-Port Grommet Left and Right, BABA
NDSS-1BA-BABA	NID, Slack SCAPC, Conduit Grommet Left, 4-Port Grommet Right, BABA
NDSS-1BB-BABA	NID, Slack SCAPC, Conduit Grommet Left and Right, BABA

Contact your Enginuity representative for other configurations.