

NID - Single Family Unit

Provides fiber demarcation point for fiber drop in a single family unit



Engenuity's single family Network Interface Device (NID) provides slack storage, connectorized or spliced fiber drop and cable management in a FTTH network. Designed with a compact and rugged construction to ensure a durable and reliable performance in an indoor and outdoor environment.

FEATURES

- Includes fiber management plate for storing flat drop slack, strength member tie point and cable clamping locations
- Integrated cable management for 900µm to 4.8mm fiber cable
- Includes (1) SC/APC adapter for connectorized drop and 2 position splice sleeve for spliced drops
- Choice of unique 4-port rubber grommet that provides superior sealing for cables and provides strain relief or rubber grommet that accommodates 3/4" and 1" conduit
- 3/8" Hex Head Bolt access with 216 tool with provision for padlock
- Tone/tracer wire post for external access on bottom side



ND-FMSCAPC-BA (shown)

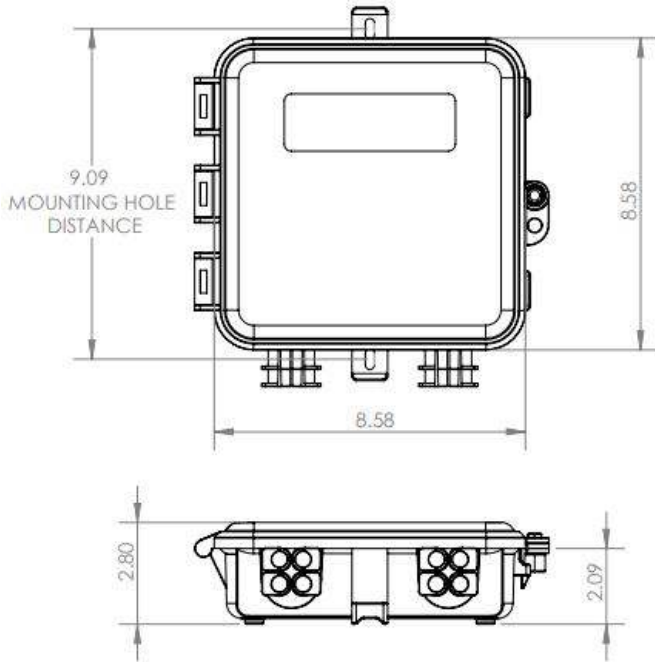
SPECIFICATION

Material	Impact Resistant Plastic, Outdoor rated, Telco Gray color
Performance	Designed to meet GR-2898-CORE
Application	Indoor or outdoor enclosure for wall mounting

NIDS & ENCLOSURES



NID - Single Family Unit



ORDERING INFORMATION

Enginuity Part #	Description
ND-FMSCAPC-AA	NID, SFU with Fiber Cable Management, SC/APC Adapter, 4-Port Grommets Left and Right
ND-FMSCAPC-BA	NID, SFU with Fiber Cable Management, SC/APC Adapter, Conduit Grommet on Left, 4-Port Grommet on Right
ND-FMSCAPC-BB	NID, SFU with Fiber Cable Management, SC/APC Adapter, Conduit Grommets Left and Right
ND-FM1P-BA	NID, SFU with Fiber Cable Management, SC/APC Adapter, 900µm Pigtail, Conduit Grommet on Left, 4-Port Grommet on Right

Contact your Enginuity representative for other configurations.